

WasteMaid®

FOOD WASTE DISPOSERS

Elite

2090-BF

1 ¼ HORSEPOWER
BATCH FEED

3 BOLT MOUNT SYSTEM

Waste Maid Elite disposers feature a 3 Bolt Mount System for fast replacement of existing 3 Bolt installations.

Operation

The Waste Maid ELITE Batch Feed disposer utilizes a stopper/actuator which makes operation safer and quieter and eliminates the need for an outside on/off switch.

Corrosion Proof

Waste Maid ELITE models carry a lifetime warranty against failure due to corrosion.

Permanent Magnet Motors

Waste Maid ELITE motors offer maximum torque instantly with the power to cut through potential jams.

Attached Power Cord

Ready to plug in.

LARGEST HORSEPOWER AVAILABLE!

| | |
|-------------------------------------|-------------------------------------|
| HORSEPOWER | 1 ¼ HP |
| MOTOR SPEED RPM | 2800 RPM |
| VOLTAGE | 120v |
| AMPS | 7.5 |
| CYCLES | 60 |
| BEARINGS | Permanently Lubricated, Sleeve Type |
| MOTOR TYPE | Permanent Magnet |
| SPLASH GUARD | Removable |
| GRIND RING | Stainless Steel |
| SWIVEL IMPELLERS | Cast Stainless Steel |
| BALANCED TURNTABLE | Stainless Steel |
| BALANCED ARMATURE SHAFT | Yes |
| HOPPER | Corrosion Proof |
| DRAIN HOUSING | Corrosion Proof |
| APPLIANCE PROTECTOR | Manual Reset |
| SINK FLANGE | Stainless Steel |
| MOUNT ASSEMBLY | 3 Bolt |
| SOUND SHELL | Full |
| ATTACHED POWER CORD | Yes |
| DISHWASHER CONNECTION | Yes |
| UNIT WEIGHT | 15.2 lb |
| INDIVIDUAL SHIPPING WEIGHT | 17 lb |
| LIFETIME CORROSION GUARANTEE | Yes |
| WARRANTY | 10 YEAR |

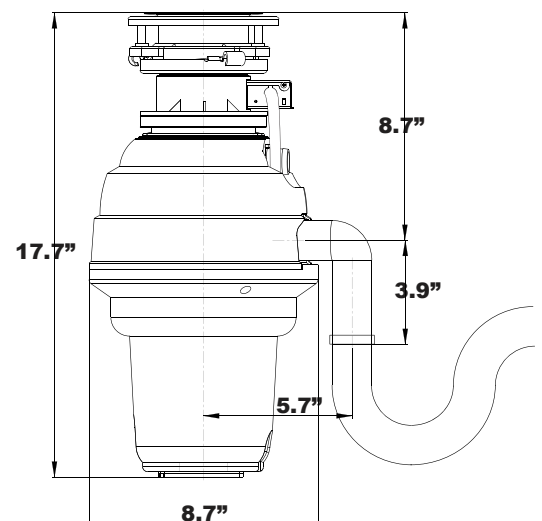


BIO SHIELD
(Antimicrobial)
for **ODOR PROTECTION!**
Disposers are treated with an antimicrobial agent molded inside providing protection against odor causing bacteria growth.



The TORQUE MASTER Grinding System is a combination of computer designed and balanced components working in unison to provide superior torque grind speed and long system life.

Dimensions



Joneca Corporation

4332 E. La Palma Avenue, Anaheim, California 92807
Telephone: 714.993.5997 Fax: 714.993.2126 Toll Free 1-888-8Joneca
Website: www.Joneca.com Email: ContactUs@Joneca.com

©2015 Joneca Corporation, All Rights Reserved.

SS-2090BF-3B-171