

# BONE CRUSHER

# 700

**BATCH FEED  
FOOD WASTE DISPOSER**  
1/2 HORSEPOWER



The Bone Crusher Batch Feed disposer utilizes a stopper/actuator which makes operation safer and quieter and eliminates the need for an outside on/off switch.

It also features a 3 Bolt Mount System for fast replacement of existing 3 Bolt installations.

#### Corrosion Proof

Bone Crusher 700 Batch Feed model carries a lifetime warranty against failure due to corrosion.

#### Permanent Magnet Motors

Bone Crusher motors offer maximum torque instantly with the power to cut through potential jams.

#### Attached Power Cord

Ready to plug in.

|                                     |                                     |
|-------------------------------------|-------------------------------------|
| <b>HORSEPOWER</b>                   | 1/2 HP                              |
| <b>MOTOR SPEED RPM</b>              | 2600 RPM                            |
| <b>VOLTAGE</b>                      | 120v                                |
| <b>AMPS</b>                         | 4.5                                 |
| <b>CYCLES</b>                       | 60                                  |
| <b>BEARINGS</b>                     | Permanently Lubricated, Sleeve Type |
| <b>MOTOR TYPE</b>                   | Permanent Magnet                    |
| <b>GRIND RING</b>                   | Stainless Steel                     |
| <b>SWIVEL IMPELLERS</b>             | Stamped Stainless Steel             |
| <b>BALANCED TURNTABLE</b>           | Stainless Steel                     |
| <b>BALANCED ARMATURE SHAFT</b>      | Yes                                 |
| <b>HOPPER</b>                       | Corrosion Proof                     |
| <b>DRAIN HOUSING</b>                | Corrosion Proof                     |
| <b>APPLIANCE PROTECTOR</b>          | Manual Reset                        |
| <b>SINK FLANGE</b>                  | Stainless Steel                     |
| <b>MOUNT ASSEMBLY</b>               | 3 Bolt                              |
| <b>SOUND SHELL</b>                  | Full                                |
| <b>ATTACHED POWER CORD</b>          | Yes                                 |
| <b>DISHWASHER CONNECTION</b>        | Yes                                 |
| <b>UNIT WEIGHT</b>                  | 11.4 lb                             |
| <b>INDIVIDUAL SHIPPING WEIGHT</b>   | 13 lb                               |
| <b>LIFETIME CORROSION GUARANTEE</b> | Yes                                 |
| <b>WARRANTY</b>                     | 5 Years                             |



#### BIO SHIELD

(Antimicrobial)

for **ODOR PROTECTION!**

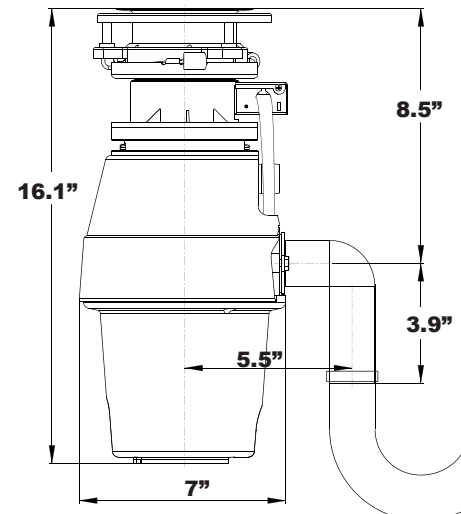
Disposers are treated with an antimicrobial agent molded inside providing protection against odor causing bacteria growth.



#### The **TORQUE MASTER** Grinding System

is a combination of computer designed and balanced components working in unison to provide superior torque grind speed and long system life.

#### Dimensions



#### Joneca Corporation

4332 E. La Palma Avenue, Anaheim, California 92807  
Telephone: 714.993.5997 Fax: 714.993.2126 Toll Free 1-888-8Joneca  
Website: [www.Joneca.com](http://www.Joneca.com) Email: [ContactUs@Joneca.com](mailto:ContactUs@Joneca.com)

©2015 Joneca Corporation, All Rights Reserved.

SS-700BF-3B-171