

# BONE CRUSHER®

# 900

## FOOD WASTE DISPOSER

### 3/4 HORSEPOWER



Bone Crusher disposers feature a 3 Bolt Mount System for fast replacement of existing 3 Bolt installations.

**Corrosion Proof**

Bone Crusher 900 model carries a lifetime warranty against failure due to corrosion.

**Permanent Magnet Motors**

Bone Crusher motors offer maximum torque instantly with the power to cut through potential jams.

**Removable Splash Guard**

All Bone Crusher continuous feed models have a removable splash guard, ideal for easy cleaning and replacement.

**Attached Power Cord**

Ready to plug in.

<b>HORSEPOWER</b>	3/4 HP
<b>MOTOR SPEED RPM</b>	2700 RPM
<b>VOLTAGE</b>	120v
<b>AMPS</b>	6
<b>CYCLES</b>	60
<b>BEARINGS</b>	Permanently Lubricated, Sleeve Type
<b>MOTOR TYPE</b>	Permanent Magnet
<b>SPLASH GUARD</b>	Removable
<b>GRIND RING</b>	Stainless Steel
<b>SWIVEL IMPELLERS</b>	Cast Stainless Steel
<b>BALANCED TURNTABLE</b>	Stainless Steel
<b>BALANCED ARMATURE SHAFT</b>	Yes
<b>HOPPER</b>	Corrosion Proof
<b>DRAIN HOUSING</b>	Corrosion Proof
<b>APPLIANCE PROTECTOR</b>	Manual Reset
<b>SINK FLANGE</b>	Stainless Steel
<b>MOUNT ASSEMBLY</b>	3 Bolt
<b>SOUND SHELL</b>	Full
<b>ATTACHED POWER CORD</b>	Yes
<b>DISHWASHER CONNECTION</b>	Yes
<b>UNIT WEIGHT</b>	12.4 lb
<b>INDIVIDUAL SHIPPING WEIGHT</b>	14 lb
<b>LIFETIME CORROSION GUARANTEE</b>	Yes
<b>WARRANTY</b>	10 Years



**BIO SHIELD**  
(Antimicrobial)  
for **ODOR PROTECTION!**

Disposers are treated with an antimicrobial agent molded inside providing protection against odor causing bacteria growth.



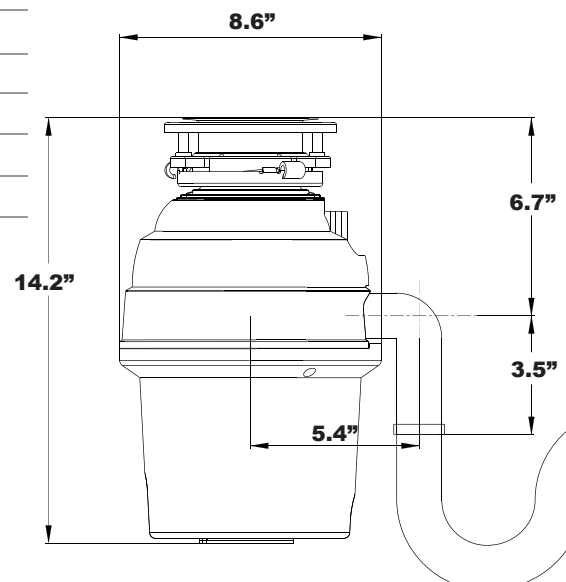
The **TORQUE MASTER Grinding System** is a combination of computer designed and balanced components working in unison to provide superior torque grind speed and long system life.



**Silver Guard**

The magnetic Silver Guard captures most metal objects before they enter into the disposer chamber. This protective feature helps prevent damage to valuable cutlery. It also helps prevent damage to the disposer as well as expensive repairs caused by metal objects falling into the disposer.

*Dimensions*



**Joneca Corporation**

4332 E. La Palma Avenue, Anaheim, California 92807  
Telephone: 714.993.5997 Fax: 714.993.2126 Toll Free 1-888-8Joneca  
Website: [www.Joneca.com](http://www.Joneca.com) Email: [ContactUs@Joneca.com](mailto:ContactUs@Joneca.com)

©2015 Joneca Corporation, All Rights Reserved.

SS-900-3B-171