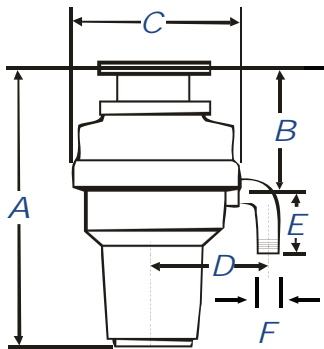


ECO Logic®



	#EL-5	#EL-6	#EL-7	#EL-8	#EL-9	#EL-10
A	13.9	13.9	14.6	14.9	16	17.3
B	6.3	6.3	7	7.3	7.3	7.3
C	5.2	5.2	7.7	8.7	8.7	8.7
D*	5.4/5.5	5.4/5.5	5.4/5.5	5.5/5.7	5.5/5.7	5.5/5.7
E*	2.7 / 3.9	2.7/3.9	2.7/3.9	2.7/3.9	2.7/3.9	2.7/3.9
F	1.5	1.5	1.5	1.5	1.5	1.5

Continuous Feed
Measurements in inches

* White Elbow/Black Elbow

Batch Feed Units (not pictured)

- EL-7, EL-8, EL-9 and EL-10 models offer a Batch Feed version.
- Built in switch activated by inserting stopper.
- No extra switch or wiring required.
- Batch Feed units add approx. 2.1"/53mm to the "A" and "B" dimension.



	#EL-5	#EL-6	#EL-7	#EL-8	#EL-9	#EL-10
A	354	354	372	378	404	439
B	161	161	179	185	185	185
C	132	132	195	220	220	220
D*	137/140	137/140	137/140	140/144	140/144	140/144
E*	70/100	70/100	70/100	70/100	70/100	70/100
F	38	38	38	38	38	38

Continuous Feed
Measurements in millimeters

* White Elbow/Black Elbow

(International Market- Outside of USA & Canada)



Anaheim Marketing International

4332 E. La Palma Avenue
Anaheim, California 92807
Telephone: 714.993.1707 Fax: 714.993.1930
Website: www.AnaheimMarketing.com
Email: ContactUs@AnaheimMarketing.com

(USA & Canada)



Joneca Corporation

4332 E. La Palma Avenue
Anaheim, California 92807
Telephone: 714.993.5997 Fax: 714.993.2126
Website: www.Joneca.com
Email: ContactUs@Joneca.com

DIMS-ECO-JONAMI-131