

WasteMaid[®]

PRO

959-BF

FOOD WASTE DISPOSER



3/4 HORSEPOWER

BATCH FEED

Operation

The WASTEMAID PRO batch feed disposer utilizes a stopper/actuator which makes operation safer and quieter and eliminates the need for an outside on/off switch.

Easy and Fast to Install

Waste Maid PRO disposers feature Speed Master Mounting, an exclusive system that provides fast and economical installation.

Corrosion Proof

Waste Maid PRO models carry a lifetime warranty against failure due to corrosion.

Permanent Magnet Motors

Waste Maid PRO motors offer maximum torque instantly with the power to cut through potential jams.

HORSEPOWER	3/4 HP
MOTOR SPEED RPM	2700 RPM
VOLTAGE	120v
AMPS	4.5, 6
CYCLES	60
BEARINGS	Permanently Lubricated, Sleeve Type
MOTOR TYPE	Permanent Magnet
GRIND RING	Stainless Steel
SWIVEL IMPELLERS	Stamped Stainless Steel
BALANCED TURNTABLE	Stainless Steel
BALANCED ARMATURE SHAFT	Yes
HOPPER	Corrosion Proof
DRAIN HOUSING	Corrosion Proof
APPLIANCE PROTECTOR	Manual Reset
SINK FLANGE	Stainless Steel
MOUNT ASSEMBLY	Speed Master-Threaded
SOUND SHELL	Full
ATTACHED POWER CORD	Yes
DISHWASHER CONNECTION	Yes
UNIT WEIGHT	10 lb
INDIVIDUAL SHIPPING WEIGHT	12 lb
LIFETIME CORROSION GUARANTEE	Yes
WARRANTY	10 Years

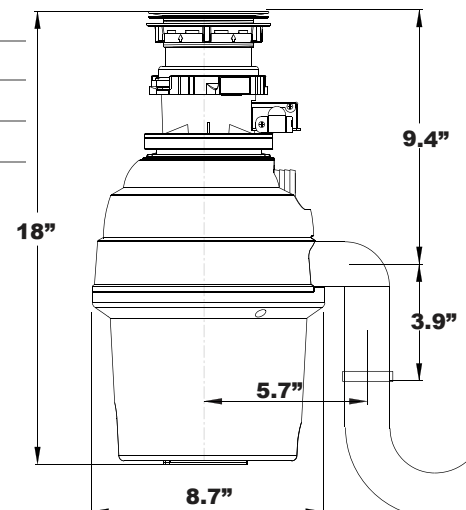


BIO SHIELD
(Antimicrobial)
for **ODOR PROTECTION!**
Disposers are treated with an antimicrobial agent molded inside providing protection against odor causing bacteria growth.



The **TORQUE MASTER Grinding System** is a combination of computer designed and balanced components working in unison to provide superior torque grind speed and long system life.

Dimensions



Joneca Corporation

4332 E. La Palma Avenue, Anaheim, California 92807
Telephone: 714.993.5997 Fax: 714.993.2126 Toll Free 1-888-8Joneca
Website: www.Joneca.com Email: ContactUs@Joneca.com

©2015 Joneca Corporation, All Rights Reserved.

SS-959BF-171