

# ECO

# Logic<sup>®</sup>

Food Waste Disposer



# ECO Logic®

*Eco Logic is packed with the Latest Features Available... Odor Protection, a Balanced Grinding System, Silver Guard Cutlery Protection, and the latest options including Air Switch, and Batch Feed Models.*



The #EL-10 features an Impressive 2800 RPM and 1¼ HP. **The Largest Horsepower Available.**

## AIR SWITCH POWER OPTION



The Air Switch (Built-In option) available with the #EL-7 models and above.

- Easy Installation
- Safe to use with wet hands
- Great for islands
- No wiring - Air activation

The disposer is turned ON and OFF by air pressure created by pushing the button. The air travels from the button, through the air tube which is connected to the air switch inside the electrical box.

Available for all models except #EL-5 and #EL-6.

## BATCH FEED POWERED MODELS



Built in switch is activated by inserting the stopper. No extra switch or wiring required.

Quiet Operation.

Available for all models except #EL-5 and #EL-6.

# ECO Logic®

Food Waste Disposer

# Features



**Bio Shield** (Antimicrobial) for ODOR PROTECTION! Disposers are treated with an antimicrobial agent molded inside providing protection against odor causing bacteria growth.



The **TORQUE MASTER** Balanced Grinding System is a combination of computer designed and balanced components working in unison to provide superior torque grind speed and long system life.



- High Speed - High Torque Permanent Magnet Motors
- Balanced Turntables
- All Stainless Steel Grinding Components (except #EL-5)
- Stainless Steel Armature Shaft
- Corrosion Proof Grinding Chamber
- Laser Sharp Cutting Ring
- Quieter Operation

The **Speed Master Mounting System** has only six components and can be installed in a few minutes without the need for tools. It is much faster than the old style 3-bolt system with its ten parts and tool requirement.

**Custom color sink flanges** available at [MrScrappy.com](http://MrScrappy.com). (USA & Canada Only)



The Magnetic **Silver Guard** captures most metal objects before they enter into the disposer chamber. This protective feature helps prevent damage to valuable cutlery. It also helps prevent damage to the disposer as well as expensive repairs caused by metal objects falling into the disposer. (#EL-9 and #EL-10 Continuous Feed Models)



All Eco Logic Disposers come with an **attached power cord** making installation easy. No wiring ...Ready to plug in!



# ECO

# Logic

## Food Waste Disposer

### The Details

MODEL#	EL-5	EL-6	EL-7	EL-8	EL-9	EL-10
<b>Horsepower</b>	½	½	½	½	¾	1¼
<b>RPM</b>	2600	2600	2600	2600	2700	2800
<b>Stainless Steel Impellers</b>	stamped	stamped	stamped	cast	cast	cast
<b>Attached Power Cord</b>	yes	yes	yes	yes	yes	yes
<b>Stainless Steel Grind Ring</b>		yes	yes	yes	yes	yes
<b>Sound Insulated</b>		partial	full	full	full	full
<b>Built-in Air Switch Available</b> <small>(continuous feed only)</small>			yes	yes	yes	yes
<b>Batch Feed Available</b>			yes	yes	yes	yes
<b>Silver Guard Included</b> <small>(continuous feed only)</small>						
<b>Warranty</b> <small>(USA &amp; Canada Only)</small>	2 Years	3 Years	5 Years	8 Years	10 Years	10 Years

AVAILABLE ELECTRICAL CONFIGURATIONS : 100V, 115V 220-240V, 50/60HZ

○ All models feature:

- Bio Shield Antimicrobial Protection
- Torque Master Grinding System
- High RPM - High Torque PM Motor
- Balanced Armature
- Corrosion Proof Grinding Chamber
- Speed Master Mounting System
- Attached Power Cord
- Septic Safe
- Dishwasher Connection

Most types of food waste can be placed in your disposer.



small bones  
fish heads  
fish bones  
egg shells  
corn cobs  
vegetable scraps  
grapefruit halves  
melon rinds  
nut shells  
coffee grinds  
fruit pits  
tea leaves

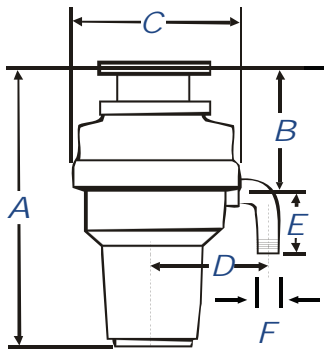


**ANAHEIM MARKETING INTERNATIONAL**  
4332 E. La Palma Ave.  
Anaheim, CA. 92807  
(714) 993-1707 Fax: (714) 993-1930  
ContactUs@AnaheimMarketing.com  
www.AnaheimMarketing.com



**JONECA CORPORATION**  
4332 E. La Palma Ave.  
Anaheim, CA. 92807  
(714) 993-5997 Fax: (714) 993-2126  
ContactUs@Joneca.com  
www.Joneca.com

# ECO Logic®



	#EL-5	#EL-6	#EL-7	#EL-8	#EL-9	#EL-10
A	13.9	13.9	14.6	14.9	16	17.3
B	6.3	6.3	7	7.3	7.3	7.3
C	5.2	5.2	7.7	8.7	8.7	8.7
D*	5.4/5.5	5.4/5.5	5.4/5.5	5.5/5.7	5.5/5.7	5.5/5.7
E*	2.7 / 3.9	2.7/3.9	2.7/3.9	2.7/3.9	2.7/3.9	2.7/3.9
F	1.5	1.5	1.5	1.5	1.5	1.5

Continuous Feed  
Measurements in inches

\* White Elbow/Black Elbow

## Batch Feed Units (not pictured)

- EL-7, EL-8, EL-9 and EL-10 models offer a Batch Feed version.
- Built in switch activated by inserting stopper.
- No extra switch or wiring required.
- Batch Feed units add approx. 2.1"/53mm to the "A" and "B" dimension.



	#EL-5	#EL-6	#EL-7	#EL-8	#EL-9	#EL-10
A	354	354	372	378	404	439
B	161	161	179	185	185	185
C	132	132	195	220	220	220
D*	137/140	137/140	137/140	140/144	140/144	140/144
E*	70/100	70/100	70/100	70/100	70/100	70/100
F	38	38	38	38	38	38

Continuous Feed  
Measurements in millimeters

\* White Elbow/Black Elbow

(International Market- Outside of USA & Canada)



## Anaheim Marketing International

4332 E. La Palma Avenue  
Anaheim, California 92807  
Telephone: 714.993.1707 Fax: 714.993.1930  
Website: [www.AnaheimMarketing.com](http://www.AnaheimMarketing.com)  
Email: [ContactUs@AnaheimMarketing.com](mailto:ContactUs@AnaheimMarketing.com)

(USA & Canada)



## Joneca Corporation

4332 E. La Palma Avenue  
Anaheim, California 92807  
Telephone: 714.993.5997 Fax: 714.993.2126  
Website: [www.Joneca.com](http://www.Joneca.com)  
Email: [ContactUs@Joneca.com](mailto:ContactUs@Joneca.com)