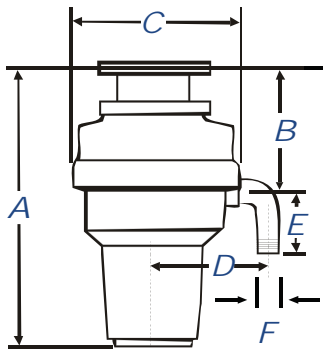


# WasteMaid®

FOOD WASTE DISPOSER

# Elite



	#1480	#1580	#1680	#1780	#1880	#1980	#2080
A	13.9	13.9	14.6	16	16	17.3	
B	6.3	6.3	7	7.3	7.3	7.3	
C	5.2	5.2	7.7	8.7	8.7	8.7	
D*	5.4/5.5	5.4/5.5	5.4/5.5	5.5/5.7	5.5/5.7	5.5/5.7	
E*	2.7 / 3.9	2.7/3.9	2.7/3.9	2.7/3.9	2.7/3.9	2.7/3.9	
F	1.5	1.5	1.5	1.5	1.5	1.5	

Continuous Feed  
Measurements in inches

\* White Elbow/Black Elbow

## Batch Feed Units (not pictured)

- 1780, 1980 and 2080 models offer a Batch Feed version.
- Built in switch activated by inserting stopper.
- No extra switch or wiring required.
- Batch Feed units add approx. 2.1"/53mm to the "A" and "B" dimension.

	#1480	#1580	#1680	#1780	#1880	#1980	#2080
A	354	354	372	404	404	439	
B	161	161	179	185	185	185	
C	132	132	195	220	220	220	
D*	137/140	137/140	137/140	140/144	140/144	140/144	
E*	70/100	70/100	70/100	70/100	70/100	70/100	
F	38	38	38	38	38	38	

Continuous Feed  
Measurements in millimeters

\* White Elbow/Black Elbow

(International Market- Outside of USA & Canada)



**Anaheim Marketing International**

4332 E. La Palma Avenue  
Anaheim, California 92807  
Telephone: 714.993.1707 Fax: 714.993.1930  
Website: [www.AnaheimMarketing.com](http://www.AnaheimMarketing.com)  
Email: [ContactUs@AnaheimMarketing.com](mailto:ContactUs@AnaheimMarketing.com)

(USA & Canada)



**Joneca Corporation**

4332 E. La Palma Avenue  
Anaheim, California 92807  
Telephone: 714.993.5997 Fax: 714.993.2126  
Website: [www.Joneca.com](http://www.Joneca.com)  
Email: [ContactUs@Joneca.com](mailto:ContactUs@Joneca.com)

DIMS-WMELITE-JONAMI-131